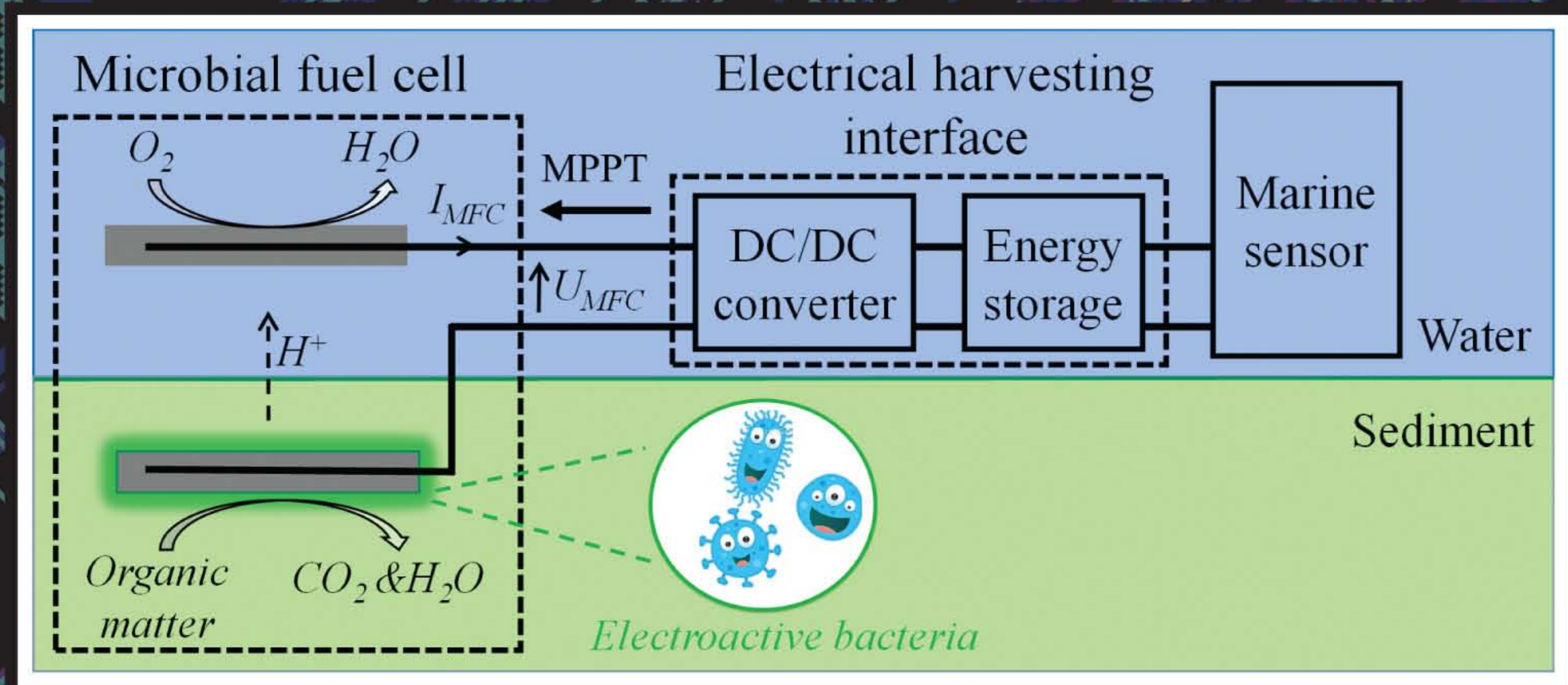


December 2019

Volume 15 · Number 4

*Journal of*

# LOW POWER ELECTRONICS



Editor-in-Chief:  
**Patrick GIRARD**

[www.aspbs.com/jolpe](http://www.aspbs.com/jolpe)



AMERICAN  
SCIENTIFIC  
PUBLISHERS